

Fitting instructions

1. Drop your RetroGrip® insert into the decking grooves to check it fits, or measure up against the diagram inside.
2. Pump a generous line of **GeoCel The Works Adhesive** into a clean and dry decking groove, the length of each insert.
3. Drop in the insert and leave for 30 mins to dry / cure.

Please note:

In high footfall commercial areas or when using on uneven decking, use RetroGrip® Screws and a power drill, to screw down the inserts. Start by screwing in from the centre and work out on either side, to ensure the insert is completely flat. Screws must be placed within 25mm of each end. Use 4 screws per metre. **Standard screws will not penetrate the anti slip aggregate and resin.**

Cutting: RetroGrip® inserts can be cut to length with an angle grinder, using a metal cutting disc or diamond blade.

Screws: RetroGrip® screws are stainless steel, toughened and sharpened screws and are the only screws which will screw directly through the insert without pre-drilling. Use 4 screws per metre.

Drilling: If you don't have any toughened sharpened RetroGrip® screws, you will need to pre-drill 3mm diameter screw holes, in order to screw the insert down. **Be aware the anti slip aggregate is very tough and will blunt standard drill bits.** We recommend using a multi purpose drill bit or double drilling, using a masonry bit (not hammer action) for the aggregate and a standard metal drill bit to drill through the aluminium insert.

Care and Maintenance

RetroGrip® requires no further maintenance when fitted correctly and well bonded to your decking. You can however enhance the anti slip performance of your decking by keeping your decking free from algae.

When adding wood stains / paint or waterproofing to your decking, be careful not to cover the RetroGrip® inserts, as a thick layer will reduce the anti slip properties. A thin layer of wood stain can be applied over RetroGrip® but be aware it will wear off over time.

RetroGrip® by GripDeck

An elegant anti-slip decking solution



RetroGrip® anti slip inserts are designed to quickly cure slippery decking. Drop RetroGrip® into the grooves, to add an elegant anti-slip finish to your decking.

- Easy to fit
- Excellent anti slip finish
- Fits the majority of decking profiles
- Hard wearing, will last for years
- Elegant low profile design
- Extends the life of your decking

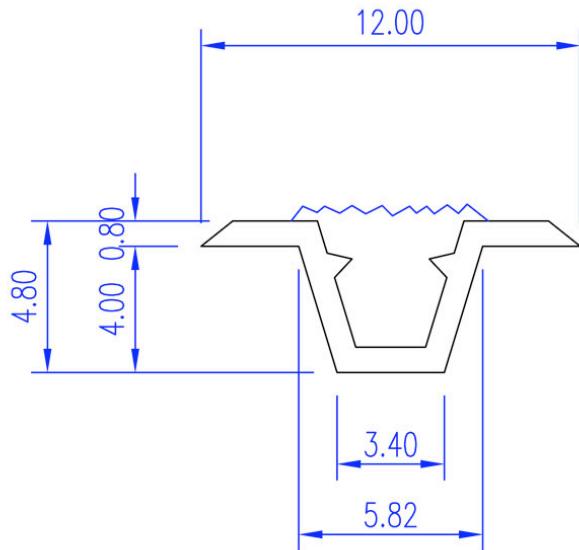
For a free sample visit our website

GripDeck.co.uk

RetroGrip® specification

RetroGrip® inserts are aluminium strips, filled with resin and hard wearing non slip aggregates - fitted with nothing more than a line of adhesive and a few screws. **See fitting instructions on the back page.**

RetroGrip® will fit most common grooved decking profiles. See below for measurements in millimeters.



Standard Length:	1m
Width:	12 mm
Weight:	0.06 kg/m
Compatibility:	Fits most grooved decking profiles
Aluminium Base:	Alloy extrusion 6063 T6 to BS EN573 & BS EN755
Resin:	Solvent and diluent free epoxy
Aggregate:	RASC Guyanan Bauxite or Dynagrip
Min particle size	0.5mm

For more information contact GripDeck on Tel: 01206 242 494

Non-Slip Peace of Mind

Installing anti slip sounds expensive to some, but unfortunately these days you do have to look at the cost of not installing anti slip. It's a sad fact that some people will make a claim if they slip and fall on your slippery surfaces. Below is a range of pay-outs a claimant could expect to receive (details provided by The National Accident Helpline 2011).

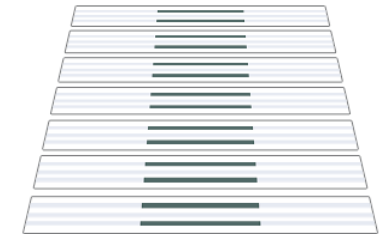
Serious foot injuries	£14,500	to	£22,650
Hip or pelvis injuries	£2,175	to	£76,350
Severe knee injuries	£15,500	to	£56,000

A Money Saving Idea

If replacing your existing decking or covering all of your decking is too big a job, why not simply install a path of RetroGrip® anti slip inserts across your decking, at a fraction of the cost.

Create a RetroGrip® pathway

Why not drastically cut the amount of anti slip you need by using around 14 RetroGrip® inserts, to create a safe path across 1 meter of decking. This will give you an elegant pathway across 7 grooved decking boards, creating a 1 metre long path across your decking.



Go online for more help & ideas

To see all of our anti slip products and download more information, simply go online at

www.gripdeck.co.uk

or Google "gripdeck" today